



mWC 6/7/8/10 - DN 150...3000

KAT-A 2412

Product characteristics and benefits

- Drop tight in accordance with DIN EN 12266, Part 1
- Four side sealing
- Compact valve with self-supporting frame, pre-assembled and ready for use
- Non-rising stem and integrated stem bearing
- Self-adjusting Flexi-Ring for sealing between knife and structure
- Floating Flexi-Ring, to compensate unevenness in the wall surface
- Easily replaceable Flexi-Ring due to separate sealing and retaining system
- Circular shape for wall mounting

Materials

- Frame: Stainless steel 1.4301
- Sealing system: Waste water resistant and UV-resistant EPDM
- Knife: Stainless steel 1.4301
- Wedges: Stainless steel 1.4301
- Stem and stem protection tube: Stainless steel 1.4301
- Stem nut: Zinc-free bronze (waste water resistant)

Corrosion protection

- All stainless steel parts: Dip pickled and passivated

Versions

- Standard version as described
- Other pressure ratings available on request
- Stem thread outside the medium
- Frame, gate, stem, stem protection and latches: Stainless steel 1.4571

Field of Application

- Chamber installation
- Installation in plants
- Basin installation
- Waste water system



Tests and approvals

- Factory test report acc. to DIN EN 10204, 2.1 with indication of leakage rate

Accessories

- Extension spindle
- Segment piece

Note

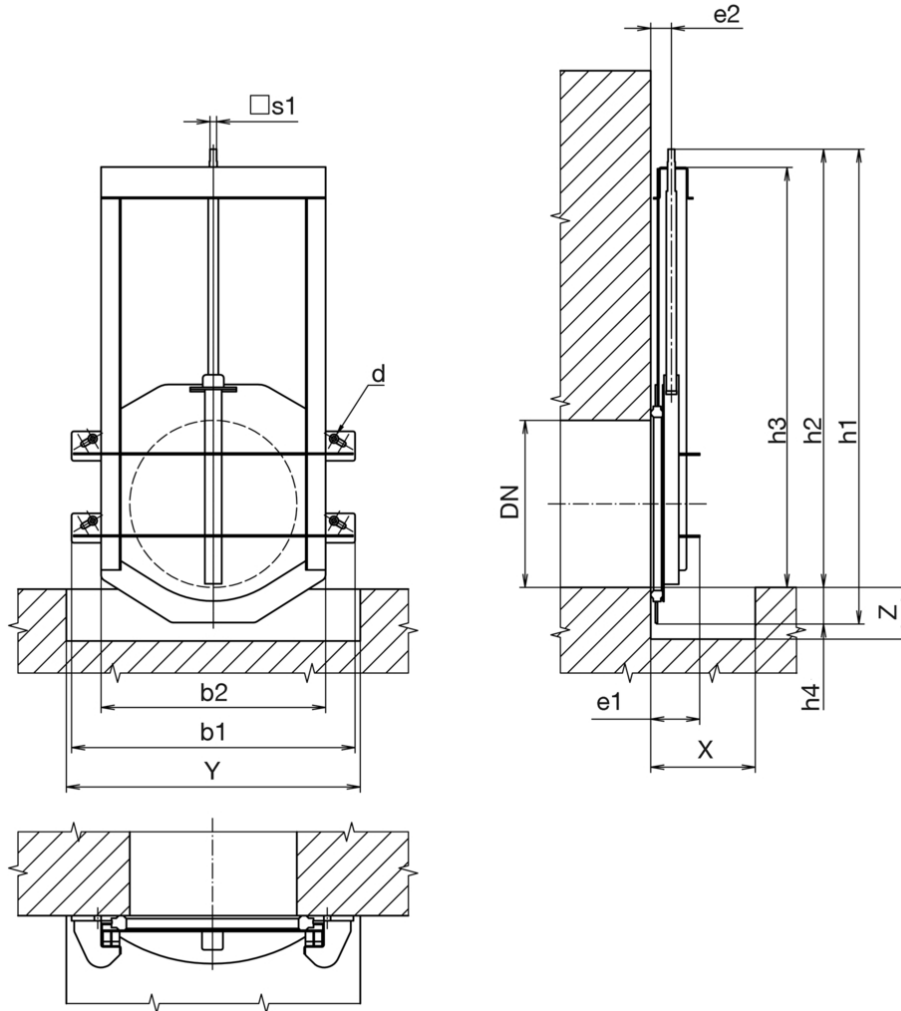
For proper installation and safe operation please follow the installation and operation instructions:
EROX

Field of application

DN	Maximum operating pressure limits on both sides [m WS]	Maximum operating temperature for neutral liquids [°C]
150...300	10	50
400...800	8	50
900...1200	7	50
1400...3000	6	50



Drawing



Technical data

mWC 10

DN	150	200	250	300
X (min)	200	200	200	200
Y (min)	455	505	555	605
Z [mm]	120	120	120	120
b1 [mm]	412	462	512	562
b2 [mm]	272	322	372	422
e1 [mm]	100	100	100	100
e2 [mm]	48	48	48	48
h1 [mm]	610	710	810	915
h2 [mm]	535	635	735	840
h3 [mm]	490	590	690	795
h4 [mm]	75	75	75	75
s1 [mm]	16	16	16	16
Holes (d)	2xØ13	2xØ13	2xØ13	2xØ13
Turns/stroke	38	48	58	68
Weight approx. [kg]	11.00	12.00	15.00	17.00
Volume approx. [m ³]	0.025	0.033	0.041	0.051



Technical data

mWC 8

DN	400	500	600	700	800
X (min)	200	200	200	250	250
Y (min)	720	820	920	1100	1200
Z [mm]	150	150	150	170	170
b1 [mm]	674	774	874	1070	1170
b2 [mm]	534	634	734	830	930
e1 [mm]	115	115	125	175	175
e2 [mm]	48	48	48	68	68
h1 [mm]	1127	1327	1527	1903	2103
h2 [mm]	1044	1244	1444	1782	1982
h3 [mm]	999	1199	1399	1722	1922
h4 [mm]	83	83	83	121	121
s1 [mm]	16	16	16	26	26
Holes (d)	4xØ13	4xØ13	4xØ13	4xØ19	4xØ19
Turns/stroke	90	110	130	157	177
Weight approx. [kg]	30.00	38.00	45.00	84.00	97.00
Volume approx. [m ³]	0.087	0.118	0.167	0.356	0.431

mWC 7

DN	900	1000	1200
X (min)	250	250	250
Y (min)	1330	1430	1630
Z [mm]	170	170	170
b1 [mm]	1304	1404	1604
b2 [mm]	1064	1164	1364
e1 [mm]	200	200	200
e2 [mm]	68	68	68
h1 [mm]	2313	2513	2913
h2 [mm]	2192	2392	2792
h3 [mm]	2132	2332	2732
h4 [mm]	121	121	121
s1 [mm]	26	26	26
Holes (d)	6xØ19	6xØ19	6xØ19
Turns/stroke	198	218	258
Weight approx. [kg]	135.00	150.00	180.00
Volume approx. [m ³]	0.603	0.706	0.934

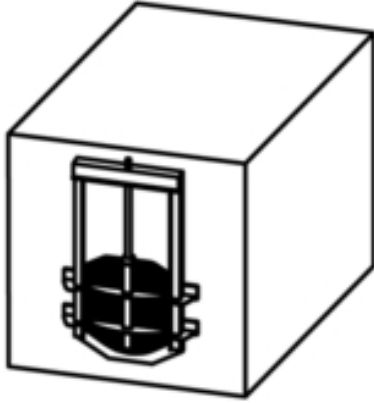
mWC 6

DN	1400	1500	1600	1800	2000	2200	2400	2600	2800	3000
X (min)	450	450	450	550	550	600	800	800	800	800
Y (min)	2162	2262	2362	2562	2762	2962	3460	3660	3860	4060
Z [mm]	240	240	240	240	240	240	400	400	400	400
b1 [mm]	2062	2162	2262	2462	2662	2862	3260	3460	3660	3860
b2 [mm]	1750	1850	1950	2150	2350	2550	2860	3060	3260	3460
e1 [mm]	350	350	350	450	450	500	500	500	500	500
e2 [mm]	100	100	100	120	120	140	167	167	167	167
h1 [mm]	3644	3844	4044	4546	4966	5366	6315	6715	7115	7515
h2 [mm]	3452	3652	3852	4354	4774	5174	6015	6415	6815	7215
h3 [mm]	3276	3476	3676	4133	4533	4933	5775	6175	6575	6975
h4 [mm]	192	192	192	192	192	192	300	300	300	300
Øs1	30	30	30	40	40	40	40	40	40	40
Holes (d)	6xØ25	6xØ25	6xØ25	10xØ35	10xØ35	10xØ35	14xØ35	14xØ35	14xØ35	14xØ35
Turns/stroke	192	200	220	210	235	226	260	280	300	320
Weight approx. [kg]	670.00	750.00	820.00	1100.00	1400.00	1500.00	2600.00	2800.00	3000.00	3200.00
Volume approx. [m ³]	2.630	2.909	3.202	5.037	5.949	7.679	10.293	11.617	13.020	14.504



Further information

Type EROX® Sluice Gate Valve



Type EROX®-G Sluice Gate Valve

