



## PN 6/10/16 - DN 400...2000

KAT-A 2011



### Product characteristics and benefits

- With flange end acc. to EN 1092-1
- Control valve for end-of-line installation
- Cone valve consisting of body and cylindrical sleeve
- Umbrella-like tearing open of the water jet via jet guiding cone
- Annular flow cross section in each position
- Axially symmetric flow pattern
- Control with cylindrical sleeve
- Cavitation-free discharge in all control positions
- Very high discharge capacity
- Low actuating torque due to pressure balanced control sleeve and guide rails
- Adjustable sliding shoes for DN 1000 and above
- Special sealing between cylindrical sleeve and jacket pipe
- Double sealing system by metallic and soft sealing on downstream side
- Profile sealing ring replaceable without disassembling the valve from the pipeline
- Operation by two lateral stems and bevel gearboxes, connected by stem extension to double bevel gearbox on top
- High durability hard-faced seat areas

### Tests and approvals

- Final inspection test acc. to EN 12266 (DIN 3230 Part 4)

### Operation data

- Specify operating pressure when inquiring/ordering.:
  - Maximum flow rate and minimum inlet pressure
  - Minimum flow rate and maximum inlet pressure
  - Static pressure upstream of valve

### Note

For proper installation and safe operation please follow the installation and operation instructions:

KAT-B 2011

### Materials

- Body: Jacket pipe stainless steel 1.4541, all other parts welded steel S235JRG2
- Seat ring: Stainless steel 1.4541
- Jet guiding cone: Welded steel S235JRG2
- Working surfaces: Stainless steel 1.4541 microfinished or stainless steel 1.4115 hard-faced
- Cylindrical sleeve: Welded steel S235JRG2
- Sealing surface: Stainless steel 1.4502 hard-faced
- Guide rails: Stainless steel 1.4502 hard-faced

### Corrosion protection

- Inside and outside epoxy coating

### Versions

- Standard version as described
- With handwheel
- With electric actuator
- With hydraulic actuator
- Bigger sizes available on request
- Special designs available on request
- Pressure rating PN 25 available on request
- With pipe hood available on request
- With venting equipment available on request

### Field of Application

- Installation in plants

### Field of application

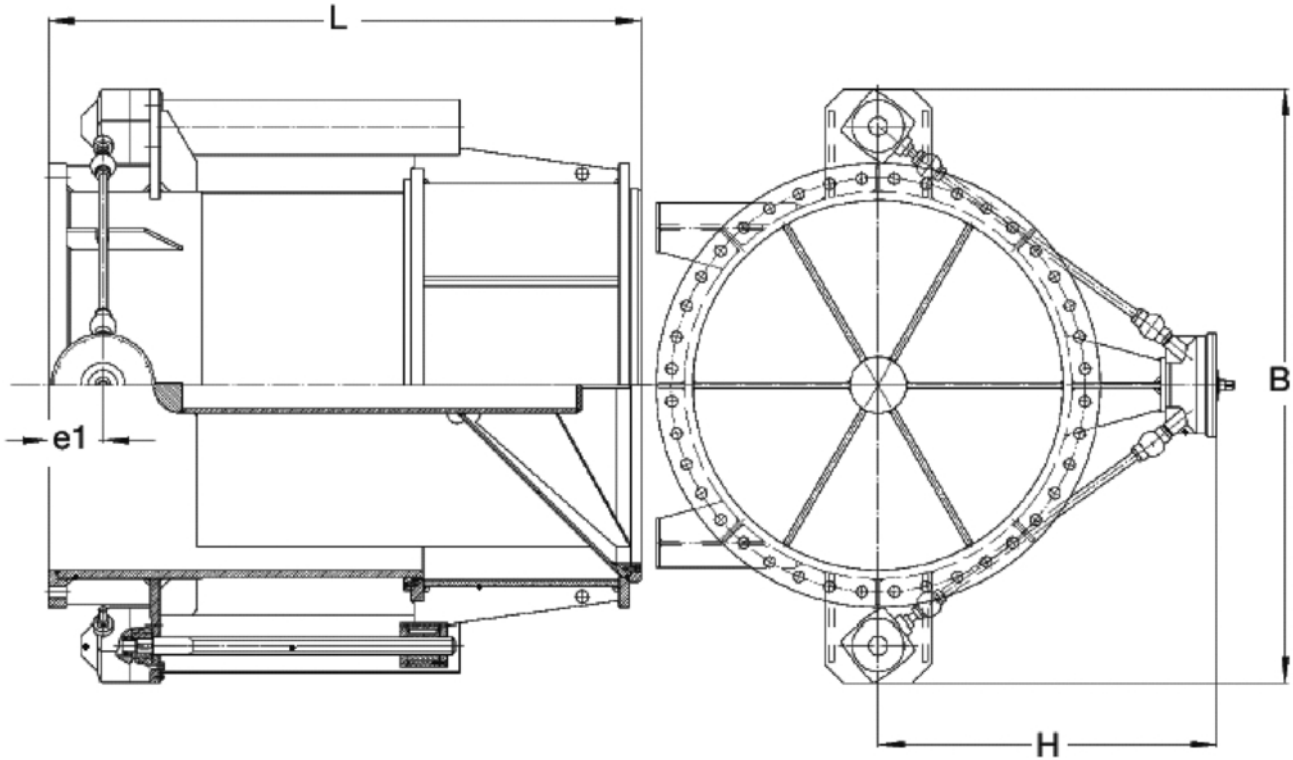
DN	PN	Maximum operating pressure	Maximum operating temperature for neutral liquids [°C]
		[bar]	
400...2000	16	16	40
400...2000	10	10	40
400...2000	6	6	40

### Pressure test acc. to EN 12266

Test pressure body with water	Test pressure seat with water
[bar]	[bar]
24	17.6
15	11
9	6.6



Drawing



Technical data

PN 16

DN	400	450	500	600	700	800	900	1000	1100	1200	1300	1400
B [mm]	1040	1110	1100	1240	1440	1480	1860	1800	2040	2140	2340	2500
H [mm]	505	500	535	575	695	775	745	870	950	1030	1130	1225
L [mm]	950	1000	1150	1250	1400	1500	1650	1800	1900	2100	2200	2400
e1 [mm]	220	220	220	250	250	330	300	300	300	250	300	350
Weight approx. [kg]	500.00	540.00	600.00	1100.00	1400.00	1700.00	2000.00	2500.00	2800.00	4000.00	4600.00	5200.00
Volume approx. [m <sup>3</sup> ]	0.900	1.100	1.300	1.700	2.800	3.400	4.500	5.600	8.600	9.200	11.600	14.700

PN 16

DN	1500	1600	1800	2000
B [mm]	2400	2670	3200	3210
H [mm]	1372	1350	1525	1835
L [mm]	2400	2600	2900	3000
e1 [mm]	270	300	300	500
Weight approx. [kg]	6000.00	6800.00	9000.00	10500.00
Volume approx. [m <sup>3</sup> ]	15.800	18.700	28.300	35.200



## Technical data

### PN 10

DN		400	450	500	600	700	800	900	1000	1100	1200	1300	1400
B	[mm]	1040	1110	1100	1240	1440	1480	1860	1800	2040	2140	2340	2500
H	[mm]	505	500	535	575	695	775	745	870	950	1030	1130	1225
L	[mm]	950	1000	1150	1250	1400	1500	1650	1800	1900	2100	2200	2400
e1	[mm]	220	220	220	250	250	330	300	300	300	250	300	350
Weight approx.	[kg]	500.00	540.00	600.00	1100.00	1400.00	1700.00	2000.00	2500.00	2800.00	4000.00	4600.00	5200.00
Volume approx.	[m <sup>3</sup> ]	0.900	1.100	1.300	1.700	2.800	3.400	4.500	5.600	8.600	9.200	11.600	14.700

### PN 10

DN		1500	1600	1800	2000
B	[mm]	2400	2670	3200	3210
H	[mm]	1372	1350	1525	1835
L	[mm]	2400	2600	2900	3000
e1	[mm]	270	300	300	500
Weight approx.	[kg]	6000.00	6800.00	9000.00	10500.00
Volume approx.	[m <sup>3</sup> ]	15.800	18.700	28.300	35.200

### PN 6

DN		400	450	500	600	700	800	900	1000	1100	1200	1300	1400
B	[mm]	1040	1110	1100	1240	1440	1480	1860	1800	2040	2140	2340	2500
H	[mm]	505	500	535	575	695	775	745	870	950	1030	1130	1225
L	[mm]	950	1000	1150	1250	1400	1500	1650	1800	1900	2100	2200	2400
e1	[mm]	220	220	220	250	250	330	300	300	300	250	300	350
Weight approx.	[kg]	500.00	540.00	600.00	1100.00	1400.00	1700.00	2000.00	2500.00	2800.00	4000.00	4600.00	5200.00
Volume approx.	[m <sup>3</sup> ]	0.900	1.100	1.300	1.700	2.800	3.400	4.500	5.600	8.600	9.200	11.600	14.700

### PN 6

DN		1500	1600	1800	2000
B	[mm]	2400	2670	3200	3210
H	[mm]	1372	1350	1525	1835
L	[mm]	2400	2600	2900	3000
e1	[mm]	270	300	300	500
Weight approx.	[kg]	6000.00	6800.00	9000.00	10500.00
Volume approx.	[m <sup>3</sup> ]	15.800	18.700	28.300	35.200